

Block Dimensions

Legend®

General Information

- Absorption...meets or exceeds astm c90-75 standards
- Compressive strength...3000 psi approximate minimum (Unless otherwise specified)
- Composition . . . high strength, high density, "0" slump concrete

Unit Information

Beveled Legend Unit:

8"H X 18"W X 22"D, 110 lbs. approx. . . . 1.00 sq. ft. face

Straight Legend Unit:

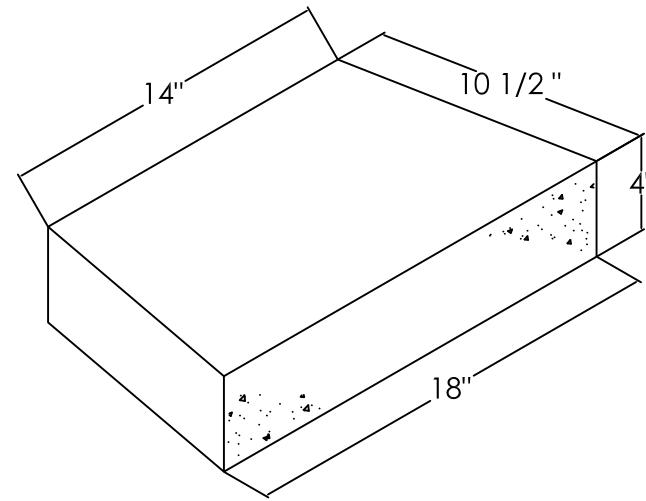
8"H X 18"W X 22"D, 110 LBS. approx. . . . 1.00 sq. ft. face

Universal cap

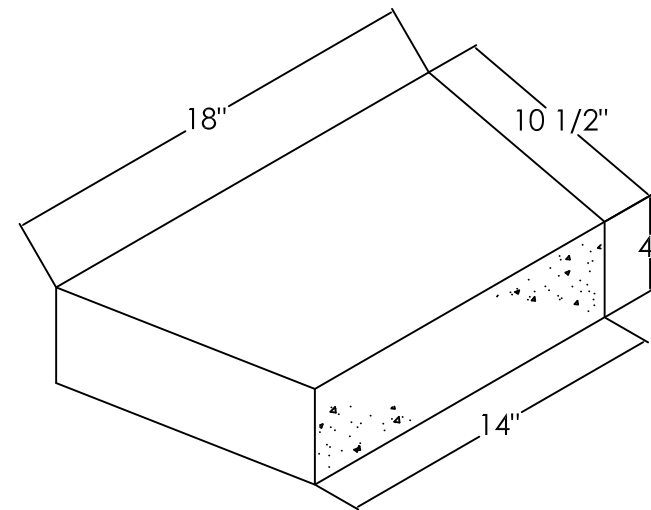
4"H X 18"W Front and 4"H X 14"W back, 54 lbs. approx.
0.50 sq. ft. front, 0.39 sq. ft. back
Average running length is 16" (See installation manual)

Face Options

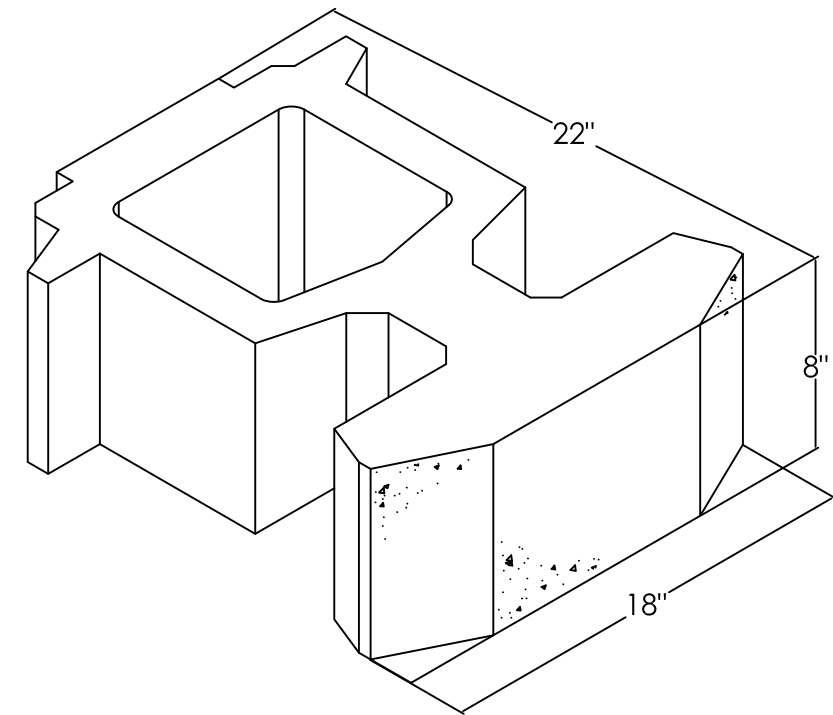
Face Patterns Beveled split face
Straight split face



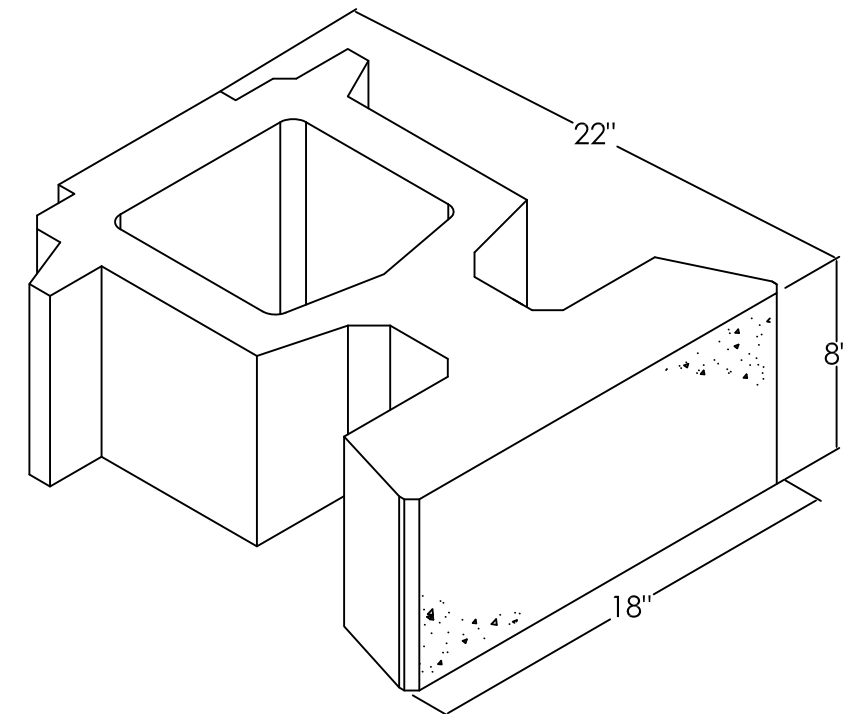
Universal Cap - front



Universal Cap - back



Legend (Beveled)

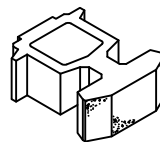


Legend (Straight)

This drawing is furnished for preliminary design purposes only, and should not be used for final design drawings or construction drawings without the certification of a professional engineer registered in the state in which the wall will be constructed

No.	Date.	Revision.	By.

PREPARED BY:



ROCKWOOD
RETAINING WALLS
A better way.

Legend	
	Compacted fill
	Native soil
	Crushed Rock
	Leveling pad
	Geogrid

Project Name:	XX
Project Location:	YY
Drawing Description:	Block Dimensions

Prepared for:	CCC DDD
Drawn by:	
Checked by:	
Sheet # of \$	
Date:	MM/DD/YYYY
File/Dwg code:	WWWPRO#