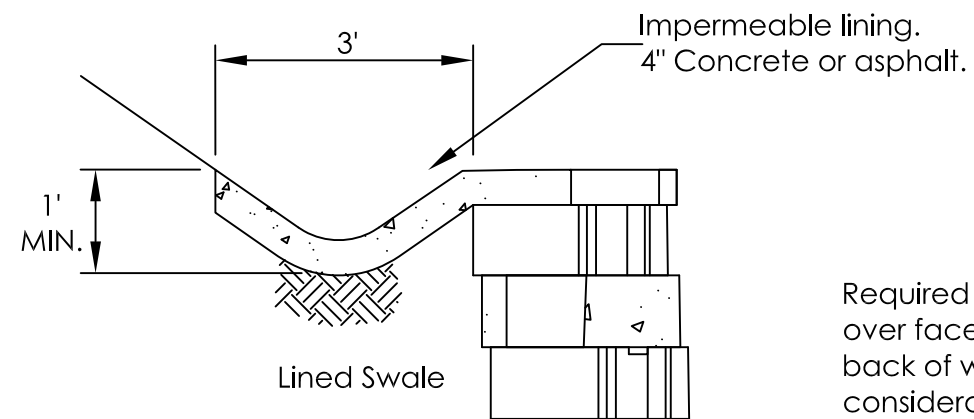
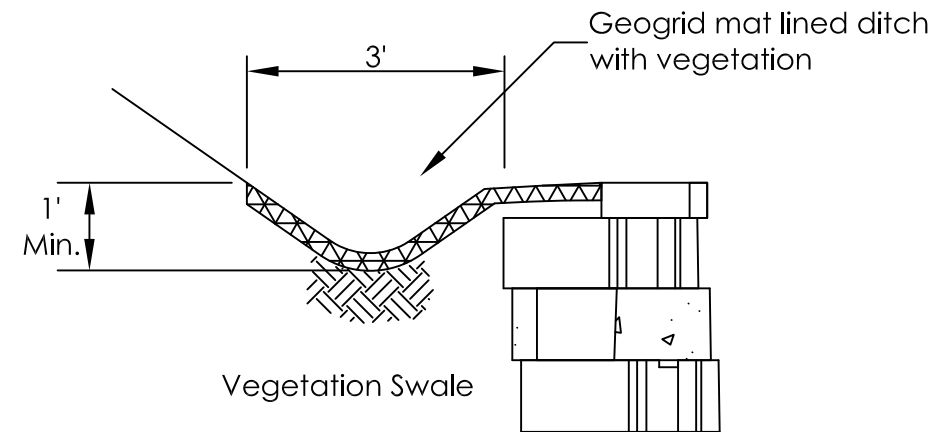


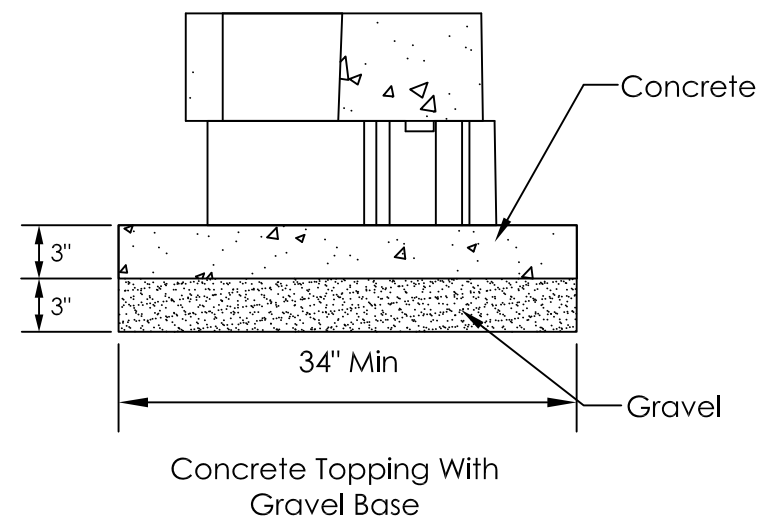
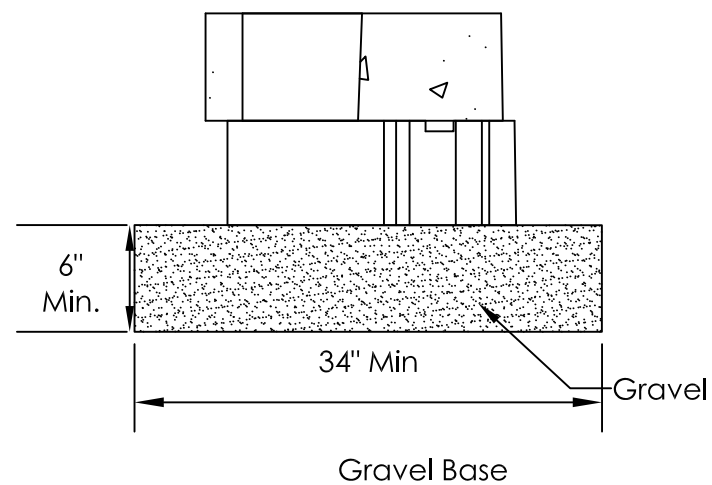
Brow Ditch & Leveling Pad Details

Legend®



Required to divert surface runoff from flowing over face of wall, to divert water away from back of wall area, and for safety considerations.

Drain Ditch Options
Scale: None

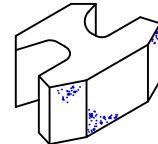


Leveling pad options
Scale: None

This drawing is furnished for preliminary design purposes only, and should not be used for final design drawings or construction drawings without the certification of a professional engineer registered in the state in which the wall will be constructed

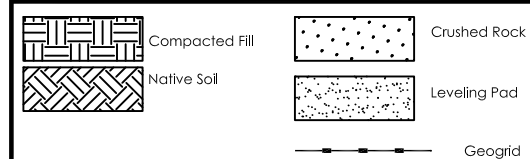
No.	Date.	Revision.	By.

PREPARED BY:



ROCKWOOD
RETAINING WALLS
A better way.

Legend



Project Name:	XX	Prepared For:	CCC
Project Location:	YY	Drawn By:	DDD
Checked By:			
Drawing Description:	Brow Ditch & Leveling Pad Details		
		Sheet #	or \$
		Date:	MM/DD/YYYY
		Project Number:	WWWPRO#